

# AS08AM10N-A

EN Instruction Sheet  
TR Bilgi Dökümanı  
TW 安裝說明  
CN 安装说明



5014033203  
2024-03-01



[www.deltaww.com](http://www.deltaww.com)

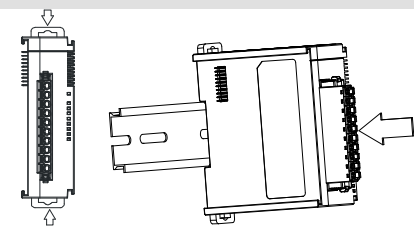


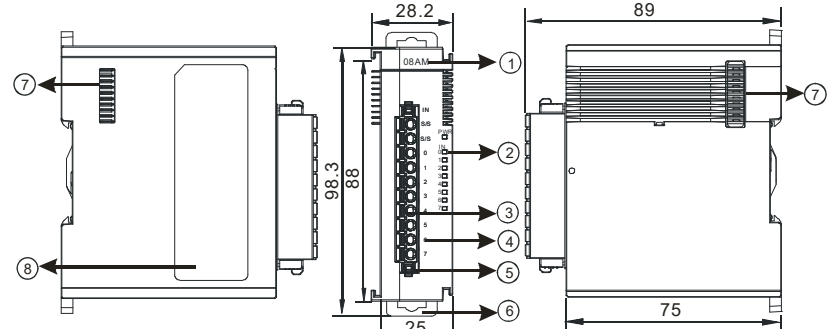
EN	This is an OPEN TYPE module and therefore should be installed in an enclosure free of airborne dust, humidity, electric shock and vibration. The enclosure should prevent non-maintenance staff from operating the device (e.g. key or specific tools are required for operating the enclosure) in case danger and damage on the device may occur. If the equipment is used in a manner not specified by the manufacturer, the protection provided by the equipment may be impaired. For any repair or maintenance needs, please contact us.
FR	Ceci est un module ouvert et il doit donc être installé dans un coffret à l'abri des poussières, des vibrations et ne pas être exposé aux chocs électriques. Le boîtier ou l'armoire doit éviter toute action d'un personnel autre que celui affecté à la maintenance de l'appareil (par exemple, clefs, outils spécifiques pour l'ouverture du coffret), ceci afin d'éviter tout accident corporel ou endommagement du produit.
TR	Bu ürün AÇIK TİP bir modül olup toz, rutubet, elektrik şoku ve titreşimden uzak kapalı yerlerde muhafaza edilmelidir. Yanlış kullanım sonucu ürünün zarar görmesini önlemek için yetkili olmayan kişiler tarafından ürüne müdahale edilmesini önleyecek koruyucu önlemler alınmalıdır. (Ürünün bulunduğu panoya kilit konulması gibi). Ürün, üretici tarafından belirtilmeyen bir şekilde kullanılırsa, ekipmanın sağladığı koruma bozulabilir. Herhangi bir onarım veya bakım ihtiyaçlarınız için lütfen bizimle iletişime geçin.
TW	本機為開放型 (OPEN TYPE) 機種，因此使用者使用本機時，必須將之安裝於具防塵、防潮及免於電擊衝擊意外之外殼配線箱內。另必須具備保護措施 (如：特殊之工具或鑰匙才可打開) 防止非維護人員操作或意外衝擊本體，造成危險及損壞。如果以製造商未指定的方式使用設備，則可能會削弱設備提供的保護能力。若有維修或保養需求請與我們聯繫。
CN	本机为开放型 (OPEN TYPE) 机种，因此使用者使用本机时，必须将其安装于具防尘、防潮及免于电击/冲击意外的外壳配线箱内。另必须具备保护措施 (如：特殊的工具或钥匙才可打开) 防止非维护人员操作或意外冲击本体，造成危险及损坏。如果以制造商未指定的方式使用设备，则可能会削弱设备提供的保护能力。若有维修或保养需求请与我们联系。



EN	Please refer to the AS Series Hardware and Operation Manual for more information	TR	Daha fazla bilgi için lütfen AS Serisi Donanım ve Kullanım Klavuzuna bakınız.
TW	詳細資料請參考 AS 系列硬體及操作手冊	CN	详细资料请参考 AS 系列硬件及操作手冊

EN	Assembly	TR	Montaj	TW	安裝	CN	组装
EN	Clip up the two DIN rail clip on the module. Parallel the module groove on the back to the DIN rail, then push and slide along until hearing a click.	TR	Modül üzerindeki iki DIN ray klipsini dışa doğru çekin. Alttaki modül oyuğunu DIN ray ile paralel konuma getiriniz ve sonra klik sesini duyana kadar klipsleri içe doğru bastırın.	TW	將模組上下方的兩個 DIN 軌固定扣往中間壓後，將模組後方勾槽平行對準 DIN 軌並往 DIN 軌壓直到喀一聲，即完成。	CN	將模塊上下方的兩個 DIN 軌固定扣往中間壓後，將模塊後方勾槽平行對準 DIN 軌並往 DIN 軌壓直到喀一聲，即完成。

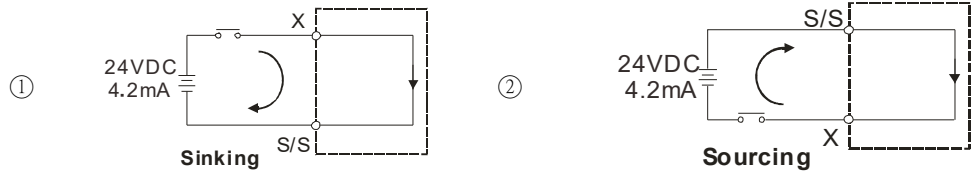
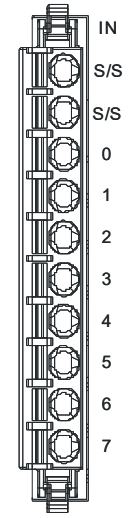


EN	Dimensions(mm) & Product Profile	TR	Ölçüler(mm) & Ürün Görünüşü	TW	尺寸 (mm) 及產品外觀	CN	尺寸 (mm) 及產品外觀
							

EN	TR	TW	CN
1	Model name	Model adı	機種名稱
2	Status indicator	Durum göstergesi	狀態指示燈
3	Removable terminal block	Sökülebilir terminal bloğu	脫落式端子
4	I/O terminal configuration	I/O terminal yapılandırma	輸入輸出端子配置
5	Removable terminal clasp	Sökülebilir terminal kenetleyici	脫落式端子拉勾
6	DIN rail clip	DIN ray klipsi	DIN 軌固定扣
7	Extension module communication port	Genişleme modülü iletişim portu	擴充模組通訊埠
8	Label	Etiket	標籤

EN Input TR Girişler TW 輸入 CN 輸入

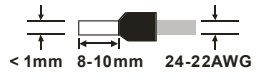
EN	Input type: ① SINK ② SOURCE
TR	Giriş Tipi: ① SINK ② SOURCE
TW	輸入接線: ① 漏型輸入方式 ② 源型輸入方式
CN	輸入接線: ① 漏型輸入方式 ② 源型輸入方式



EN Wiring TR Bağlantı TW 配線 CN 配线

EN Please use single-core or multi-core cables. The diameters of the cables used should be within the range between 24 AWG and 22 AWG (1 mm). The specifications for the terminals and the wiring are shown in the figure. The temperature of the copper conductor should be 60/75°C.

TR Lütfen tek damarlı veya çok damarlı kablo kullanın. Kullanılan kablo çapı 24 AWG ve 22 AWG (<1 mm) aralığında olmalıdır. Terminal ve bağlantı özellikleri şekilde gösterilmiştir. Bakır iletkenin sıcaklığı 60/75°C 'ye kadar olmalıdır.



TW 輸出 / 入配線端請使用 24-22AWG (1mm) 單蕊裸線或多蕊線。端子規格及配線示意圖如右所示。只能使用 60/75°C 的銅導線。

CN 輸出 / 入配線端請使用 24-22AWG (1mm) 單蕊裸線或多蕊線。端子規格及配線示意图如右所示。只能使用 60/75°C 的铜导线。

部件名称 Part Name	有毒物质-Hazardous Substances						台達電子工業股份有限公司 機電事業群 地址: 330477 桃園市桃園區興隆路 18 號 電話: 886-3-3626301 傳真: 886-3-3716301	Industrial Automation Headquarters Delta Electronics, Inc. Taoyuan Technology Center No.18, Xinglong Rd., Taoyuan District, Taoyuan City, 330477, Taiwan TEL: 886-3-362-6301 / FAX: 886-3-371-6301										
	鉛 (Pb)	汞 (Hg)	鎘 (Cd)	六价铬 (Cr VI)	多溴联苯 (PBB)	多溴二苯醚 (PBDE)												
金属部件 Metal Part	X	O	O	O	O	O	中达电通股份有限公司 地址: 上海市浦东新区民复路 238 号 邮编: 201209 电话: (021) 5863-5678 传真: (021) 5863-0003	Delta Greentech (China) Co., Ltd. 238 Min-Xia Road, Pudong District, Shanghai, P.R.C. 201209 TEL: 86-21-5863-5678 / FAX: 86-21-5863-0003										
塑料部件 Plastic Part	O	O	O	O	O	O												
电子部件 Electronic	X	O	O	O	O	O	上海总部 电话: (021) 6861-9090 南昌 电话: (0791) 8625-5010 厦门 电话: (0592) 5313-601 成都 电话: (028) 8434-2075 石家庄 电话: (0311) 8666-7337	上海浦西 电话: (021) 6301-2827	北京 电话: (010) 8225-3225	南京 电话: (025) 8334-6585	杭州 电话: (0571) 8882-0610	长春 电话: (0431) 8892-5060						
触点 Contacts	O	O	X	O	O	O		合肥 电话: (0551) 6281-6777	武汉 电话: (027) 6784-5292	长沙 电话: (0731) 8549-9156	福州 电话: (0591) 8755-1305	哈尔滨 电话: (0451) 5366-5568						
线缆和线缆附件 Cable & Cabling accessories	X	O	O	O	O	O	广州 电话: (020) 3879-2175	南宁 电话: (0771) 2621-501	贵阳 电话: (0851) 8690-1374	昆明 电话: (0871) 6313-7362	兰州 电话: (0931) 6406-725							
电池 Battery	O	O	O	O	O	O	西安 电话: (029) 8836-0780	呼和浩特 电话: (0471) 6297-808	太原 电话: (0351) 4039-485	青岛 电话: (0532) 5557-9067								
本表格依据 SJ/T 11364 的规定编制。 O: 表示该有害物质在该部件所有均质材料中的含量均在 GB/T 26572 规定的限量要求以下。 X: 表示该有害物质至少在该部件的某一均质材料中的含量超出 GB/T 26572 规定的限量要求。 This table is made according to SJ/T 11364. O: Indicates that the concentration of hazardous substance in all of the homogeneous materials for this part is below the limit as stipulated in GB/T 26572. X: Indicates that concentration of hazardous substance in at least one of the homogeneous materials used for this part is above the limit as stipulated in GB/T 26572.							* 本手册内容若有变更, 恕不另行通知。											
<b>Asia</b> China: Delta Electronics (Shanghai) Co., Ltd. No.182 Minyu Rd., Pudong Shanghai, P.R.C. Post code: 201209 TEL: +86-21-6872-3988 / FAX: +86-21-6872-3996 Customer Service: 400-820-9595 Japan: Delta Electronics (Japan), Inc. Industrial Automation Sales Department 2-1-14 Shibadaimon, Minato-ku Tokyo, Japan 105-0012 TEL: +81-3-5733-1155 / FAX: +81-3-5733-1255 Korea: Delta Electronics (Korea), Inc. 1511, 219, Gasan Digital 1-Ro., Geumcheon-gu, Seoul, 08501 South Korea TEL: +82-2-515-5305 / FAX: +82-2-515-5302 Singapore: Delta Energy Systems (Singapore) Pte Ltd. 4 Kaki Bukit Avenue 1, #05-04, Singapore 417939 TEL: +65-6747-5155 / FAX: +65-6744-9228 India: Delta Electronics (India) Pvt. Ltd. Plot No.43, Sector 35, HSIDC Gurgaon, PIN 122001, Haryana, India TEL: +91-124-4874900 / FAX: +91-124-4874945							<b>Thailand: Delta Electronics (Thailand) PCL.</b> 909 Soi 9, Moo 4, Bangpoo Industrial Estate (E.P.Z.), Pattana 1 Rd., T.Phraaksa, A.Muang, Samutprakarn 10280, Thailand TEL: +66-2709-2800 / FAX: +66-2709-2827 <b>Australia: Delta Electronics (Australia) Pty Ltd.</b> Unit 2, Building A, 18-24 Ricketts Road, Mount Waverley, Victoria 3149 Australia Mail: IA.au@deltaww.com TEL: +61-1300-335-823 / +61-3-9543-3720 <b>USA: Delta Electronics (Americas) Ltd.</b> 5101 Davis Drive, Research Triangle Park, NC 27709, U.S.A. TEL: +1-919-767-3813 <b>Brazil: Delta Electronics Brazil Ltd.</b> Estrada Velha Rio-São Paulo, 5300 Eugênio de Melo - São José dos Campos CEP:12247-004-SP- Brazil TEL: +55-12-3932-2300 / FAX: +55-12-3932-237 <b>Mexico: Delta Electronics International Mexico S.A. de C.V.</b> Gustavo Baz No. 309 Edificio E PB 103 Colonia La Loma, CP 54060 Tlalnepantla, Estado de México TEL: +52-55-3603-9200				<b>EMEA</b> <b>EMEA Headquarters: Delta Electronics (Netherlands) B.V.</b> Sales: Sales.IA.EMEA@deltaww.com Marketing: Marketing.IA.EMEA@deltaww.com Technical Support: iatechnicalsupport@deltaww.com Customer Support: Customer-Support@deltaww.com Service: Service.IA.emea@deltaww.com TEL: +31(0)40 800 3900 <b>BENELUX: Delta Electronics (Netherlands) B.V.</b> Automotive Campus 260, 5708 JZ Helmond, The Netherlands Mail: Sales.IA.Benelux@deltaww.com TEL: +31(0)40 800 3900 <b>DACh: Delta Electronics (Netherlands) B.V.</b> Coesterweg 45, D-59494 Soest, Germany Mail: Sales.IA.DACH@deltaww.com TEL: +49 2921 987 258 <b>France: Delta Electronics (France) S.A.</b> ZI du bois Chaland 2, 15 rue des Pyrénées, Lisses, 91090 Evry Cedex, France Mail: Sales.IA.FR@deltaww.com TEL: +33(0)1 69 77 82 60 <b>UK: Delta Electronics Europe Ltd.</b> 1 Redwood Court, East Kilbride, Glasgow, G74 5PF, United Kingdom TEL: +44-1355-588-888				<b>Iberia: Delta Electronics Solutions (Spain) S.L.U</b> Ctra. De Villaverde a Vallecas, 265 1º Dcha Ed. Horniguerras - P.I. de Vallecas 28031 Madrid TEL: +34(0)91 223 74 20 Carrer Llacuna 166, 08018 Barcelona, Spain Mail: Sales.IA.Iberia@deltaww.com <b>Italy: Delta Electronics (Italy) S.r.l.</b> Via Meda 2-22060 Novedrate(CO) Piazza Grazioli 18 00186 Roma Italy Mail: Sales.IA.Italy@deltaww.com TEL: +39 039 690365 <b>Turkey: Delta Greentech Elektronik San. Ltd. Sti. (Turkey)</b> Serifali Mah. Hennem Cad. Kule Sok. No:16-A 34775 Ümraniye - Istanbul Mail: Sales.IA.Turkey@deltaww.com TEL: +90 216 499 9910 <b>MEA: Eltek Dubai (Eltek MEA DMCC)</b> OFFICE 2504, 25th Floor, Saba Tower 1, Jumeirah Lakes Towers, Dubai, UAE Mail: Sales.IA.MEA@deltaww.com TEL: +971(0)4 2690148			

\*We reserve the right to change the information in this instruction sheet without prior notice.