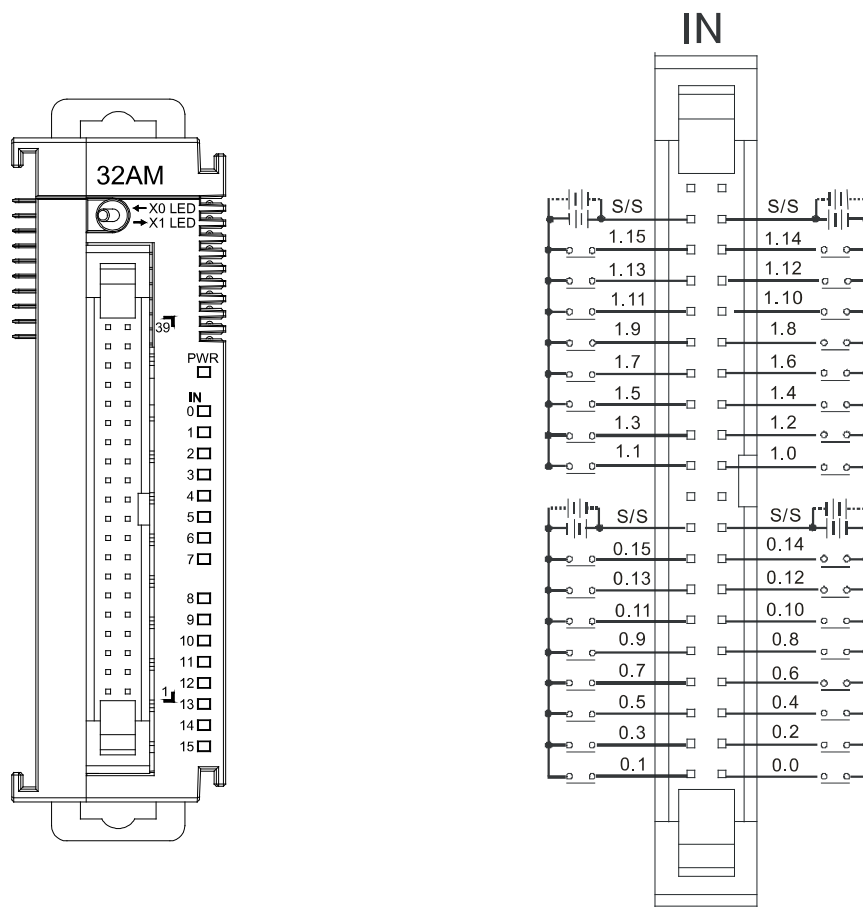


### 4.7.12 Wiring AS32AM10N-A

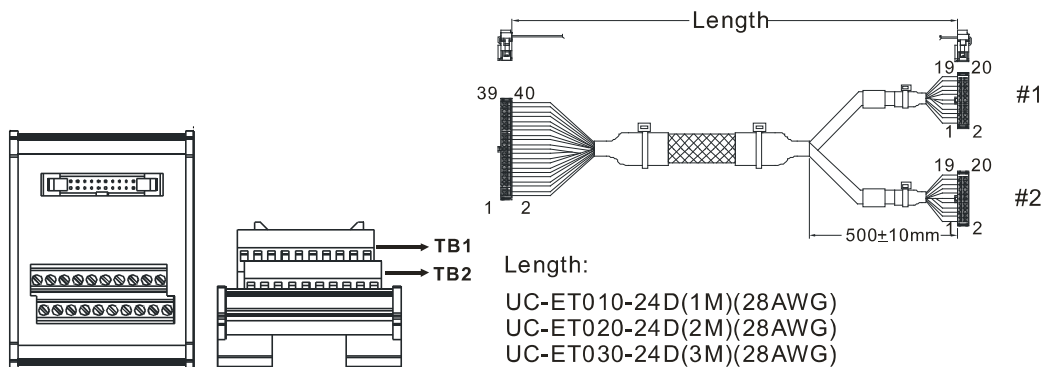
<b>Input form</b>	Direct current (sinking or sourcing)
<b>Input current</b>	24 VDC, 5 mA



- Wiring the External Terminal Module UB-10-ID16A

For cables that can only be connected to the cables of group #2, see below.

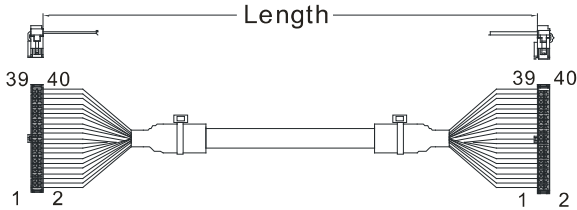
<b>Input form</b>	Direct current (sinking or sourcing)
<b>Voltage specifications</b>	24 VDC, 5 mA



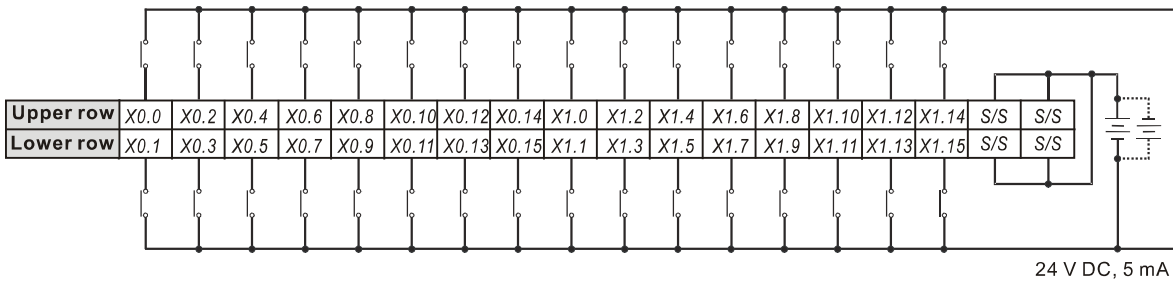
#2	TB1	X0.0	X0.2	X0.4	X0.6	X0.8	X0.10	X0.12	X0.14	S/S	-
	TB2	X0.1	X0.3	X0.5	X0.7	X0.9	X0.11	X0.13	X0.15	S/S	-

● Wiring the External Terminal Module UB-10-ID32A

Input form	Direct current (sinking or sourcing)
Input current/voltage	24 VDC, 5 mA



Length:  
 UC-ET010-24B(1M)  
 UC-ET020-24B(2M)  
 UC-ET030-24B(3M)



Note: UB-10-ID32A can be used with AS Series and DVP Series. The indications on the UB-10-ID32A board is for DVP Series. For the definitions of terminal connections for AS Series, you can see the reference table below. Or refer to the enclosed sticker for AS Series.

Upper row	AS	X0.0	X0.2	X0.4	X0.6	X0.8	X0.10	X0.12	X0.14	X1.0	X1.2	X1.4	X1.6	X1.8	X1.10	X1.12	X1.14	S/S	S/S
	DVP	X0	X2	X4	X6	X10	X12	X14	X16	X20	X22	X24	X26	X30	X32	X34	X36	S/S	S/S
Lower row	DVP	X1	X3	X5	X7	X11	X13	X15	X17	X21	X23	X25	X27	X31	X33	X35	X37	S/S	S/S
	AS	X0.1	X0.3	X0.5	X0.7	X0.9	X0.11	X0.13	X0.15	X1.1	X1.3	X1.5	X1.7	X1.9	X1.11	X1.13	X1.15	S/S	S/S